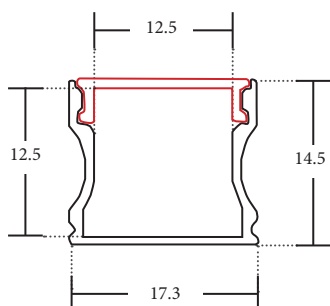


AE124A

Aluminium Extrusion

DIMENSION:



FEATURES:

- Application guide for LED strips that are 8-10 mm wide
- Opal diffuser included
- Invisible LED source
- Offer uniform and soft lighting
- Easy to cut to size
- Increase the lifetime of LED strip
- Available as standard in 3 meter length
- Aluminium alloy increasing heat dissipation

GENERAL INFORMATION:

Model	AE124A
Size	External: 17.3 mm x 14.5 mm Internal: 12.5 mm x 12.5 mm
Diffuser	Opal
Standard Length	3 m
Material	Aluminium
Include	An extrusion, end caps and an optics